



Britestream LED Niche Light is a flush mounted light which protrudes only 11mm from the pool/spa wall. Its energy efficient super bright LED's are capable of delivering 352 lumens of light\* and operates on only 15 watts of energy.

- Long life span of over 70,000 hours
- Innovative polycarbonate lens
- Available in Brite White and Electric Blue
- Optional stainless steel rim



*\* Britestream White LED's deliver 352 lumens of light.*

**Durable Niche Housing**

Niche housing is constructed from injection-moulded ABS for non-corrosive durability

**Innovative Lens**

Its innovative polycarbonate lens cools the LEDs and provides a uniform diffusion of light.

**Large Tie-backs**

Large rebar tie-backs for ease of installation

**Slotted Rims**

Assists heat dissipation, as well as permitting water circulation.

**Easy Coiling**

Extra space for easy coiling and storage of the light's power cord

**Extra Slim Protrusion**

Projects only 11mm from the pool/spa wall

**Energy Saving**

BriteStream LEDs operate on only 15 watts of energy, which is approximately 15% of the electrical power usage of a halogen light.

**Precision Built**

BriteStream comprises of a precision built printed circuit board totally enclosed in a waterproof housing.

**Blue or White**

BriteStream LED lights are available in Brite White and Electric Blue.

**Super Bright**

Super bright energy saving LEDs capable of delivering 352 lumens of light. [White LED light]

**Triple seal connection**

Three O'rings are in place to provide a triple seal eliminating the possibility of any leakages travelling up the power cord.

**Long Life**

BriteStream LED has a life span of over 70 000 hours, which is equivalent to over 30 years of illumination. (Based on 6 hours usage per day).

**Built-in Heat Management**

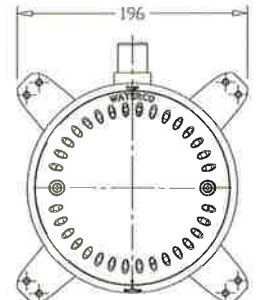
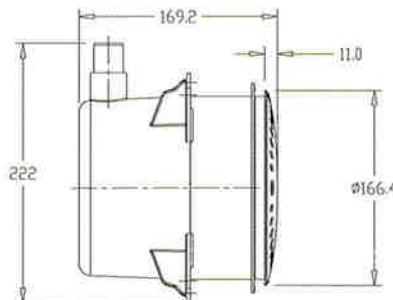
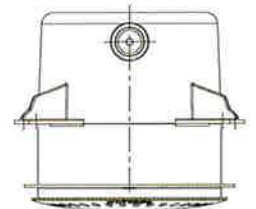
The LED's heat output is automatically managed by its electronic circuitry.

**Technical Specifications**

Zonal Distribution	Power Usage	Input Voltage	LED Life
0 to 180 degrees	15Watt	12V AC	70,000 hours



**Optional Stainless Steel Rim**

**Warranty**

BriteStream LED lights are covered by a comprehensive 12 month warranty.

**OFFICES - AUSTRALIA**

NSW - Sydney (Head Office)  
Tel: +61 2 9898 8600

QLD - Brisbane  
Tel: +61 7 3299 9900

VIC/TAS - Melbourne  
Tel: +61 3 9764 1211

WA - Perth  
Tel: +61 8 9273 1900

SA/NT - Adelaide  
Tel: +61 8 8244 6000

ACT Distribution  
Tel: +61 2 6280 6476

**OFFICES - OVERSEAS**

Waterco (Europe) Limited  
Sittingbourne, Kent, UK  
Tel: +44 (0) 1795 521 733

Waterco (USA) Inc  
Augusta, Georgia, USA  
Tel: +1 706 793 7291

Waterco Canada  
St Hyacinthe, Quebec, Canada  
Tel: +1 450 796 1421

Waterco (NZ) Limited  
Auckland, New Zealand  
Tel: +64 9 525 7570

Waterco (GZ) Limited  
Guangzhou, China  
Tel: +86 20 3222 2180

Waterco (Far East) Sdn Bhd  
Selangor, Malaysia  
Tel: +60 3 6145 6000

PT Waterco Indonesia  
Jakarta, Indonesia  
Tel: +62 21 4585 1481

**DISTRIBUTED BY:**

**WATERCO**  
Water, the liquid of life

