

TyphoonTM

Pool Pump

Heavy duty, powerful pool pumps
delivering optimum performance
for rapid pool and spa water circulation



Features & Benefits

- Designed for durability and long life using corrosion resistant, UV stabilised materials
- Self priming pump for trouble-free operation and air handling
- Built in thermal overload protection protects motor in the event of low voltage or jammed pump
- Strong performance and high flow provides optimum water circulation
- Stainless steel pump shaft suited for salt water pools
- Reinforced pump base keeps the motor high and dry for corrosion protection
- Extra large leaf basket handles large leaves and debris with ease
- Large clear leaf basket lid provides easy visual inspection of contents
- Barrel union connections for easy installation
- Suits swimjet and spa installations where high water flow is required

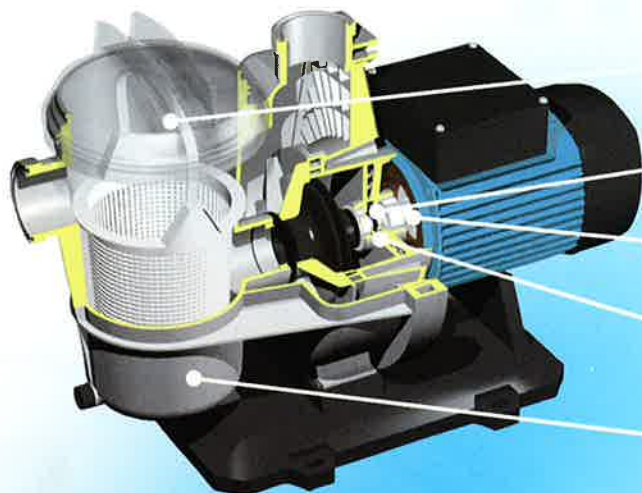
Guarantee – 3 years



monarchseries.com.au

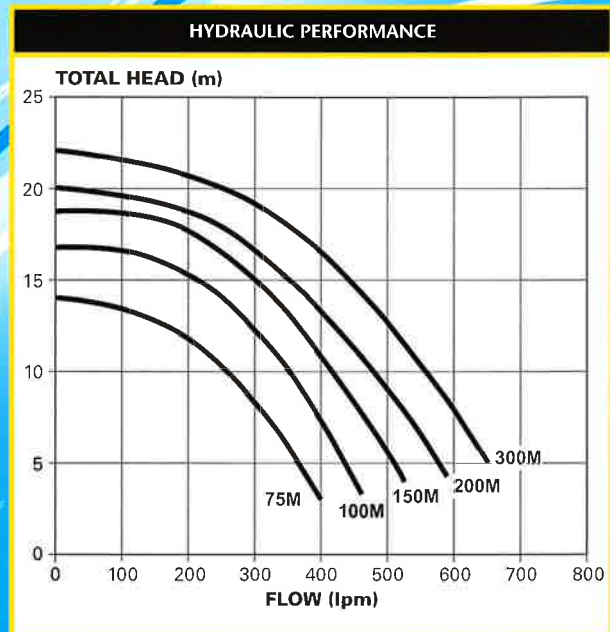
Typhoon™

Pool Pump



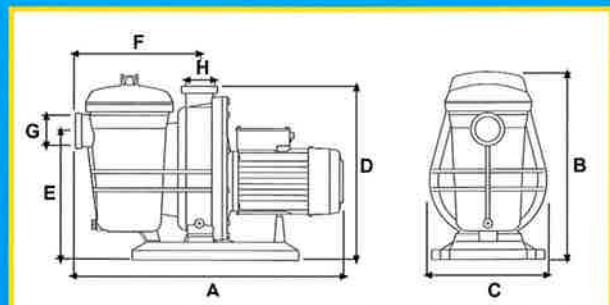
- Large, easy to remove, leaf basket cover for convenience and easy cleaning
- Carbon / Ceramic mechanical seal
- Stainless steel motor shaft for corrosion resistance in salt water pools
- Impeller made of glass-filled Noryl® for high abrasion resistance
- Corrosion resistant body, foot and diffuser from glass-filled polypropylene construction.

ELECTRICAL DATA					
Model - Typhoon	75M	100M	150M	200M	300M
Voltage (V)	220-250				
Supply Frequency/Phase	50Hz / 1				
Run Current (A)	4.2	6.2	7.9	9.2	10.8
Motor Input Power (W)	1000	1500	1900	2200	2600
Motor Output Power (W)	550	750	1100	1500	2200
RPM	2900				
Enclosure Class (IP)	55				
Insulation Class	F				
Approval No.	W2442				



OPERATING LIMITS	
Water Temperature	Max 35°C
Ambient Temperature	Max 50°C

DIMENSIONS (mm)											
Model	A	B	C	D	E	F	G	H	Inlet P.V.C. (mm)	Outlet P.V.C. (mm)	Net Weight (Kg)
Typhoon 75M											14
Typhoon 100M											15
Typhoon 150M	612	429	268	397	295	284	63	63	40/50	40/50	18
Typhoon 200M											21
Typhoon 300M											23



Datasheet Disclaimer:
 All details in this leaflet are accurate at the time of printing. This literature is not a complete guide to product usage. Further information is available from your Monarch Series dealer, Davey Customer Service Centre and from the relevant product Installation & Operating Instructions. This datasheet must be read in conjunction with the relevant Installation & Operating Instructions and all applicable statutory requirements. Product specifications may change without notice. ® Davey is a registered trademark of Davey Water Products Pty Ltd. © Davey Water Products Pty Ltd 2008.



Davey Water Products Pty Ltd
 Member of the GUD Group
ABN 18 066 327 517
Head Office and Manufacturing
 6 Lakeview Drive, Scoresby, Australia 3179
 Ph: +61 3 9730 9222
 Fax: +61 3 9753 4100
 Website: davey.com.au

Customer Service Centre
 Ph: 1300 2 DAVEY (1300 232 839)
 Fax: 1300 304 850
 E-mail: sales@davey.com.au

Interstate Offices
 Sydney • Brisbane • Adelaide
 Perth • Townsville

International
 6 Lakeview Drive,
 Scoresby, Australia 3179
 Ph: +61 3 9730 9121
 E-mail: export@davey.com.au

New Zealand
 7 Rockridge Avenue,
 Penrose, Auckland 1061
 Ph: +64 9 570 9135
 Website: daveynz.co.nz
 E-mail: sales@daveynz.co.nz

Germany
 Kantstrasse 53,
 04275 Leipzig
 Ph: +49 341 301 0412
 E-mail: akrenz@daveyeurope.com

USA - Davey Pumps Inc.
 1005 N. Commons Drive,
 Aurora, Illinois 60504
 Ph: +1 630 898 6976
 Website: daveyusa.com
 E-mail: sales@daveyusa.com