

Easy Clear® CARTRIDGE FILTERS



The Easy Clear® range has been specifically designed for the filtration of water in swimming pools (in-ground and above ground) and spa pools. These water saving designs can save over 4,000 litres of water per year over sand filters.

FEATURES & BENEFITS

The filter lid is retained by a lock ring which enables easy access for element cleaning.

A.B.S. tank construction is robust, UV resistant and non corrosive for long life.

Low profile design means elements are easier to lift out for cleaning and require less height for installation.

The element is constructed of Du Pont Reemay which is recognised for its excellent filtration and long life.

A quality pressure gauge makes it easy to see when element cleaning is required.

An automatic air bleed prevents air from building up in the tank while the pump is running.

A manual air bleed enables the filter to be de-pressurised before opening for cleaning.

A choice of two inlet ports enables the inlet plumbing to be installed at either 90 or 180° to the outlet for greater flexibility in installation.

A.B.S. Barrel unions are supplied to make installation simple.

An automatic tank bypass valve prevents pressure exceeding safe levels.

DEPEND ON
DAVEY

WATER PRODUCTS

5yr TANK GUARANTEE

Easy Clear® CARTRIDGE FILTERS



- Automatic air bleed purges trapped air during filtration
- Durable polyurethane end caps are reinforced to support pleats & protect the element
- 4 oz Mesh weight for fine filtration & high water quality
- High quality Du Pont polyester mesh for clog free long life
- Large spaces between pleats for easy cleaning & long filtration cycles
- ABS tank construction is robust, UV resistant and non corrosive for long life
- Automatic pressure relief valve prevents internal pressures exceeding safe levels

OPERATING PERFORMANCE

Model	Max. Flow Rate (lpm)	6 Hour Turnover (litres)	8 Hour Turnover (litres)	Filtration Area (sq metres)	Filtration Area (sq feet)
Easy Clear 500	205	73,800	98,400	4.67	50
Easy Clear 750	270	97,200	129,600	7.08	75
Easy Clear 1000	340	122,400	163,200	9.43	100
Easy Clear 1500	450	162,000	216,000	14.16	150
Easy Clear 1750	540	194,400	259,200	16.51	175
Easy Clear 2250	670	241,200	321,600	21.24	225

OPERATING LIMITS

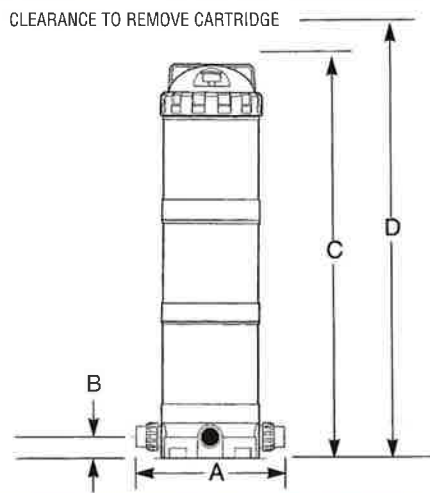
Maximum Water Temperature	45°C
Maximum Operating Pressure (kPa)	280

MODEL NUMBER IDENTIFICATION

EC	500
EC = Easy Clear®	500 = 50 square feet.

MODEL	A	B	C	D	Inlet P.V.C. (mm)	Outlet P.V.C. (mm)
EC 500	270	60	540	875	40	40
EC 750	270	60	540	875	40	40
EC 1000	270	60	635	1000	40	40
EC 1500	270	60	820	1360	40/50	40/50
EC 1750	270	60	930	1550	40/50	40/50
EC 2250	270	60	1110	1950	40/50	40/50

DIMENSIONS



All dimensions in mm unless otherwise stated.

DEPEND ON
DAVEY

WATER PRODUCTS



Visit Davey on-line for further information
davey.com.au

All details in this leaflet are accurate at time of printing. This literature is not a complete guide to product usage. Further information is available from your Davey dealer, Davey Customer Service Centre and from the relevant product Installation & Operating Instructions. This datasheet must be read in conjunction with the relevant product Installation & Operating Instructions and all applicable statutory requirements. Product specifications may change without notice. © Davey and Easy Clear are registered trademarks of Davey Products Pty Ltd. © Davey Products Pty Ltd 2002.

Davey Products Pty Ltd

Member of the GUD Group
ABN 18 066 327 517
Head Office and Manufacturing
6 Lakeview Drive, Scoresby, Australia 3179
Ph: +61 3 9730 9222
Fax: +61 3 9753 4100
Website: davey.com.au
Customer Service Centre
Ph: 1300 367 866
Fax: 1300 369 119
E-mail: sales@davey.com.au
Interstate Offices
Sydney • Brisbane • Adelaide • Perth • Townsville

International

6 Lakeview Drive,
Scoresby, Australia 3179
Ph: +61 3 9730 9121
E-mail: export@davey.com.au

New Zealand

2 Rothwell Avenue,
North Harbour, Auckland 1330
Ph: +64 9 914 3680
Website: daveynz.co.nz
E-mail: sales@daveynz.co.nz

Germany

Kantstrasse 47,
04275 Leipzig
Ph: +49 341 301 0412
E-mail: akrenz@daveyeurope.com

USA - Davey Pumps Inc.

1005 N. Commons Drive,
Aurora, Illinois 60504
Ph: +1 630 898 6976
Website: daveyusa.com
E-mail: sales@daveyusa.com